

Dimmer Switches

For use with tungsten filament incandescent lamps up to a maximum of 400 watts, minimum of 60 watts per switch only.

Special dimmer switches available for the following to special order: fluorescent, low voltage/transformer loads and motors.

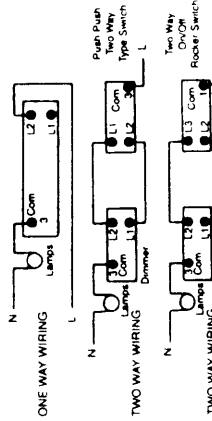
This dimmer switch is of the push-on, push-off type with an integral rotary control to set the degree of illumination required. It can be installed in one-way or two-way switching circuits. The two-way switch can be installed in a two-way switching circuit, but only in connection with an ordinary two-way on/off switch.

On 3 and 4 gang dimmers the maximum load should not exceed 1000 watts in all.

1. Always isolate supply of electricity to existing light switch by switching off at main fuse box and removing appropriate fuse.
2. Remove retaining screws, and carefully withdraw switch from wall box to reveal connections at rear.
3. Disconnect the leads attached to the terminals on the switch and ensure that no more than 6mm ($\frac{1}{4}$ ") is laid bare, cut back if necessary. Ensure that the wire insulation sleeve goes right up to the terminals and that the wire does not project from the opposite side of the terminals.
4. Check depth of wall box and ensure that there is adequate clearance between the dimmer switch back plate and the back of the wall box.
5. When installing dimmer modules use wall boxes having two lugs only. If using wall boxes having four lugs, remove or bend back the two lugs not in use.
6. Refer to the wiring diagrams before connecting the dimmer switch.
7. Secure the dimmer switch to the wall box using the two fixing screws, making sure that the leads are not trapped or damaged.
8. Check that the total wattage of the load is not greater than the wattage of the control and that there is at least 40W load in the case of a 250W dimmer or 60W for others (or flickering may occur).
9. Always assemble fully to the wall before reconnecting the supply.
10. Switch on at main fuse box and check operation of switch.

IF IN ANY DOUBT CONSULT A QUALIFIED ELECTRICIAN

WIRING DIAGRAMS FOR DIMMER SWITCHES



A two way switching dimmer should be put in one location and an ordinary two way Switch or push-pull type switch in the other location. Do not fit two dimmers

Rocker Grid Switches

For use with 36mm depth flush steel box.

These switches are only suitable for 6 amp lighting circuits up to 1250 watts.

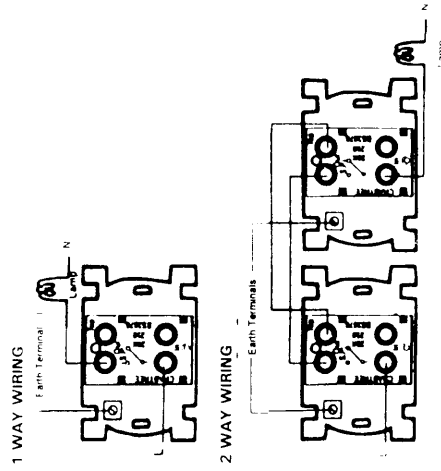
20 amp, 2-way, intermediate and double pole switches are available to special order. These switches are suitable for fittings up to 5 kilowatt output.

Installation Instructions

1. Always isolate supply of electricity to existing switch by switching off at main fuse box and removing appropriate fuse.
2. Arrange wiring so as to be along the edges of the switch or the box, keeping the central area clear.
3. Bare the wires for about 6mm ($\frac{1}{4}$ ") and fit to the correct terminals as shown in the diagram. Ensure that the wire insulation sleeve goes right up to the terminals.
4. Connect earth wire to terminal fitted to the grid (see diagram).
5. Fit the grid to the wall box with the two galvanised screws.
6. Finally, fit the metal plate to the grid.
7. **Always assemble fully to the wall before reconnecting the supply.**

IF IN ANY DOUBT, CONTACT A QUALIFIED ELECTRICIAN

WIRING DIAGRAMS FOR 6 AMP AND 20 AMP ROCKER SWITCHES ALL METAL FACE PLATES MUST BE EARTHED



ELECTRICAL ACCESSORIES

GENERAL INSTRUCTIONS

All metal face plates must be earthed

IF IN ANY DOUBT, CONTACT A QUALIFIED ELECTRICIAN

Installation and maintenance

These products have been manufactured with the finest materials. The solid brass plates are treated with an electrophoretic finish which has chromate protection with a fine coat of oven-stoved lacquer. The finish is very hard and durable and the only treatment needed is occasional use of a wax-based polish applied with a dry cloth (also helps to reduce finger marks). Under no circumstances should 'Brasso' or other abrasive or solvent polishes or paint-removing solvents/treatments be used—this will invalidate the warranty.

Under most conditions (even freshly decorated walls) the electrophoretic finish guarantees full protection; however installation or wet plaster and/or wet paint (see manufacturer's data to determine full drying times) is best avoided as some plasters and recently developed paints contain alkali/solvents. If in doubt please consult our Technical Department.

Satin and polished chrome finishes are extremely durable and again will remain in pristine condition indefinitely — again as a precaution wet plaster and/or wet paint should be avoided.

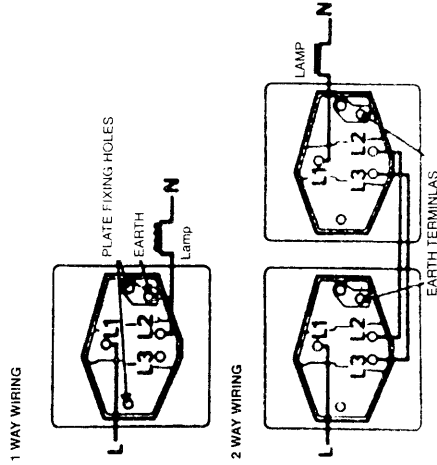
Plaster Depth Rocker Switches

1. Always isolate supply of electricity to existing switch by switching off at main fuse box and removing appropriate fuse.
2. To prepare cable: bare the wires for about 6mm (1/4") and fit to the correct terminals as shown in diagram, ensure that the wire insulation sleeve goes right up the terminals.
3. Identification of cable and terminals:
 Cable Terminal
 Red or Brown L (live or common)
 Blue or Black N (neutral)
 Green or Green and Yellow E (Earth)
4. Arrange wiring so as to be along the edges of the switch or box, keeping the central area clear.
5. Finally fit metal face plate to wall box with two brass screws (supplied).
6. Always assemble fully to the wall before reconnecting the supply.

IF IN ANY DOUBT CONTACT A QUALIFIED ELECTRICIAN

1-WAY WIRING

ALL METAL FACE PLATES MUST BE EARTHED



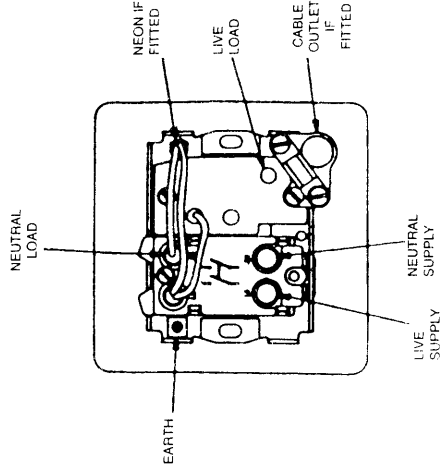
Wiring Instructions for Switched Fused Connection Units

1. Always isolate supply of electricity by switching off at the main consumer unit (fuse box) **before** commencing work on any connections to the existing installation.
- To do this, switch off the miniature circuit breaker (MCB) in the consumer unit for the circuit on which you will be working, or turn off the main switch and remove the circuit fuse.

IF IN ANY DOUBT CONTACT A QUALIFIED ELECTRICIAN

Further Instructions available from our website www.focus-sb.co.uk

ALL METAL FACE PLATES MUST BE EARTHED



Dolly Grid Switches

1. Always isolate supply of electricity by switching off at the main consumer unit (fuse box) **before** commencing work on any connections to the existing installation.
- To do this, switch off the miniature circuit breaker (MCB) in the consumer unit for the circuit on which you will be working, or turn off the main switch and remove the circuit fuse.
- Warning: When fitting as replacement ensure that a 35mm deep box is used. Always check existing wall boxes or new replacement boxes are correctly earthed before installing the brass electrical switch plate.
- Wiring for 1-way or 2-way operation, strip 6mm (1/4") of insulation from all the insulated wires and fit to the correct terminals as shown in diagram, push wires fully into the terminals and tighten terminal screws securely. Ensure that there are no stray wires.
- Connect earth lead (yellow/green) to the earth terminal in wall box.
- Arrange wiring so as to be along the edges of the switch or box keeping the central area clear.
- Adjustments for height of the switch grid can be made by the two grid fixing screws allowing the scraping earth to make contact with the brass face plate.
- Finally fit the brass face plate with the brass securing ring using plastic key provided.
- Warning: Ensure that the brass face plate is correctly earthed by means of scraping earth on the switch grid.
- Always assemble fully to the wall before reconnecting the electricity supply.

IF IN ANY DOUBT CONTACT A QUALIFIED ELECTRICIAN

WIRING DIAGRAMS: DOLLY SWITCHES

