

**INSTALLATION INSTRUCTIONS AND WIRING DIAGRAMS FOR DIMMERS AND SWITCHES**

Dimmers are designed to conform with the standards IEC 669-2-1 and BS EN 55014:1993.

Minimum and maximum loads are as quoted on the reverse of the dimmer module.

**IMPORTANT: PLEASE READ**

- Read the general instruction procedure before commencing installation.
- This product **MUST** be earthed in accordance with the current IEE wiring regulations. (METAL PLATES ONLY)
- The plastic wall gasket **MUST** be fitted to prevent any chemical reaction (i.e. tarnishing). (METAL PLATES ONLY)
- Dimmers are only suitable for use with tungsten filament lamps with a total load within the range of the dimmer. Dimmers are not suitable for fluorescent or inductive (transformer) loads, unless labelled 'I' after the wattage.
- Minimum wall box depth is 25mm. Bend back or remove box lugs not in use.
- Cleaning: polish only with a soft, clean, dry cloth. Do **NOT** use any fluid.

**GENERAL INSTALLATION AND CONNECTION PROCEDURE**

(If unsure of the installation procedure please consult a qualified electrician.)

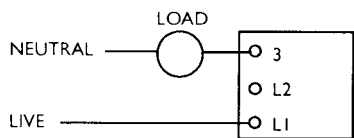
- Isolate mains supply from existing accessory by switching off at main fuse box.
- Remove retaining screws and carefully withdraw accessory from wall box to reveal connections at rear.
- Check that no mains voltage is present within existing accessory by use of 240 volt test lamp (if available). Disconnect all cables noting their respective connections.
- Connect accessory with reference to diagrams shown for each accessory.
- Check all connections thoroughly.
- Refix accessory in position, taking care not to trap any cables beneath retaining screws.
- Switch on mains supply at fuse box and check operation of accessory.

**DISCLAIMER**

This equipment is intended for domestic use only. It must be installed in accordance with the fitting instructions. It should be fixed in the approved and conventional way to a solid or stud partition wall. Wallpaper or wallpaper paste of any sort should not continue beneath the plate towards the working parts of the equipment. It should not be used in areas of high humidity (bathrooms etc.), nor within reach of a water source. The equipment should be connected to a mains supply of appropriate voltage (as indicated on the product). Care should be taken not to overload the equipment (maximum wattage indicated on the product). If you are unsure consult a qualified electrician before fitting. No liability can be accepted if the product is installed or used in any other way.

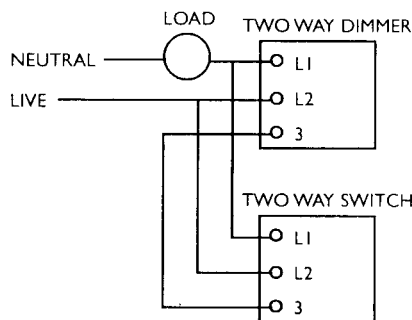
**DIMMER WIRING DIAGRAMS**

**ONE WAY DIMMING CIRCUIT**



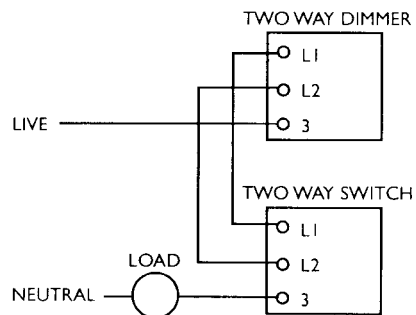
In a one way dimming circuit use L1 and 3 only

**'LOOP IN LOOP OUT' TWO WAY DIMMING CIRCUIT**



Note: When switching from more than one position a two way dimmer can only be used in conjunction with conventional two way switches. i.e. only one dimmer per circuit.

**ALTERNATIVE TWO WAY DIMMING CIRCUIT**



**GUARANTEE (Applies U.K. and Irish Republic)**

This accessory is guaranteed against faulty workmanship or materials for a period of twelve months and will be repaired or replaced free of charge on condition that it is returned to the address overleaf and that:

- The accessory has not been overloaded or connected to a supply other than 230/240 volts 50Hz.
- The installation procedure has been carried out correctly.
- A dated receipt of purchase accompanies the accessory for repair or replacement.
- The accessory has not been taken apart nor altered in any way.

This guarantee does not affect your statutory rights of the consumer. In no circumstances can the company accept responsibility for any loss or damage said to arise from the use of this product.